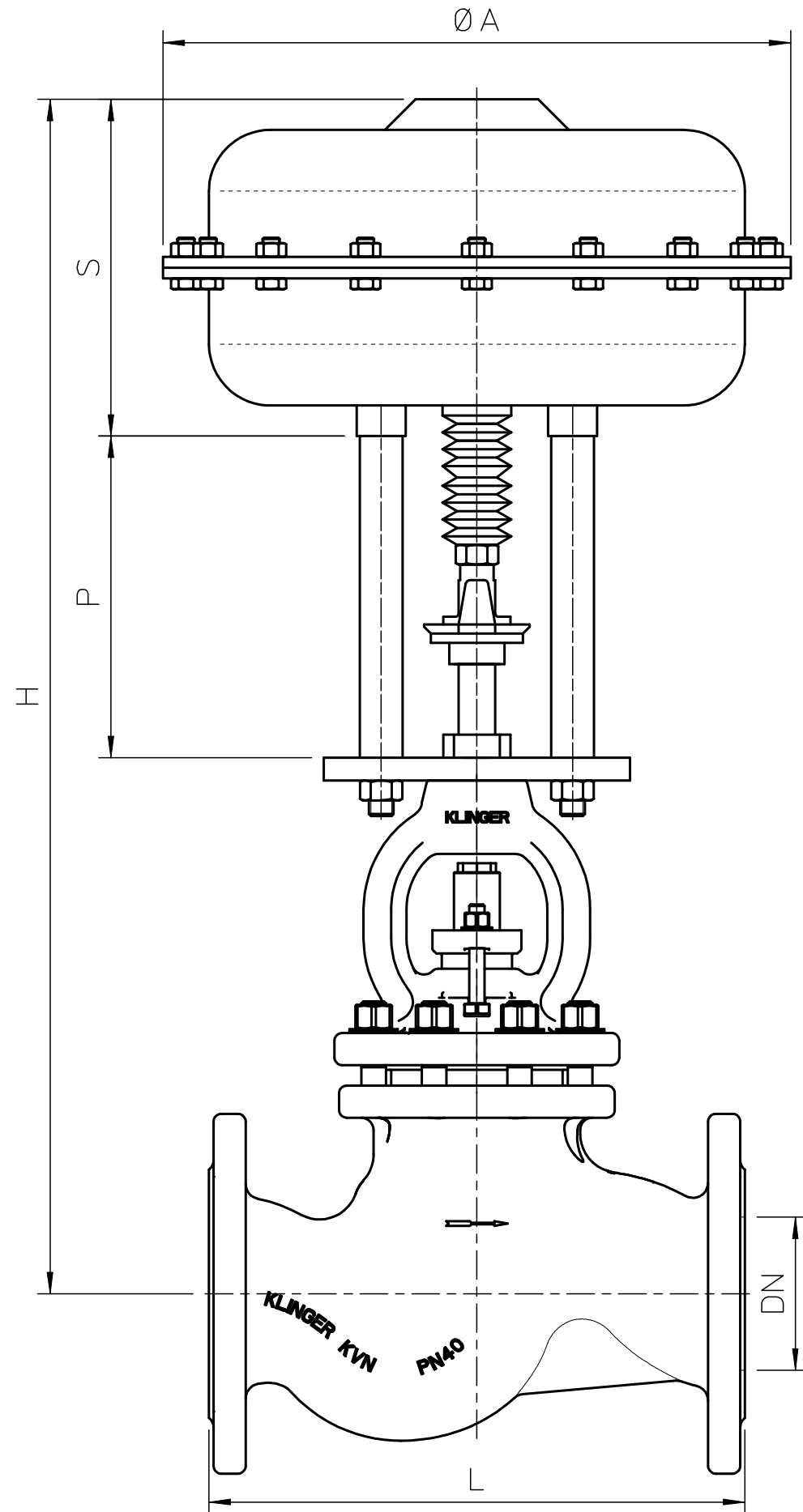


# KLINGER MATIC Pistonvalve type KVN 65-200 with pneumatic actuator SART



single action, spring close

DN	actuator	L	H	ØA	S	P
65	MA41 B6 6S P <sub>0</sub>	290	740	410	242	210
80	MA41 B6 7S P <sub>0</sub>	310	761	410	242	210
100	MA41 B6 10S P <sub>0</sub>	350	806	410	242	210
125	MA41 C6 4S P <sub>0</sub>	400	1074	410	352	310
150	MA41 D6 4B P <sub>0</sub>	480	1214	410	466	310
200	-	-	-	-	-	-

single action, spring open

DN	actuator	L	H	ØA	S	P
65	PA60 C6 3G P <sub>S</sub>	290	671	310	173	210
80	PA60 C6 3G P <sub>S</sub>	310	695	310	173	210
100	MA41 B6 2S P <sub>S</sub>	350	806	410	242	210
125	MA41 C6 P <sub>S</sub>	400	1074	410	352	310
150	MA41 D6 P <sub>S</sub>	480	1214	410	466	310
200	-	-	-	-	-	-

double acting

DN	actuator	L	H	ØA	S	P
65	PA35 A6 P <sub>0S</sub>	290	623	210	125	210
80	PA35 A6 P <sub>0S</sub>	310	644	210	125	210
100	MA31 A6 P <sub>0S</sub>	350	750	310	165	210
125	MA31 A6 P <sub>0S</sub>	400	867	310	165	290
150	MA41 A6 P <sub>0S</sub>	480	978	410	230	310
200	MA41 A6 P <sub>0S</sub>	600	1061	410	230	310

drw.: 21.11.11 SA

wOV3462-2